

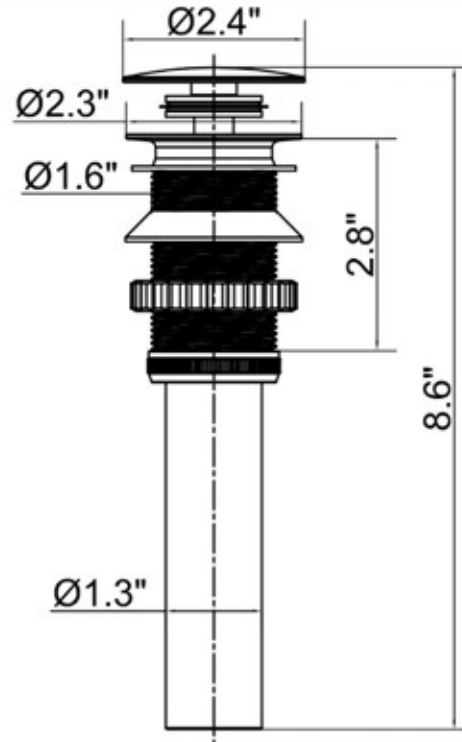
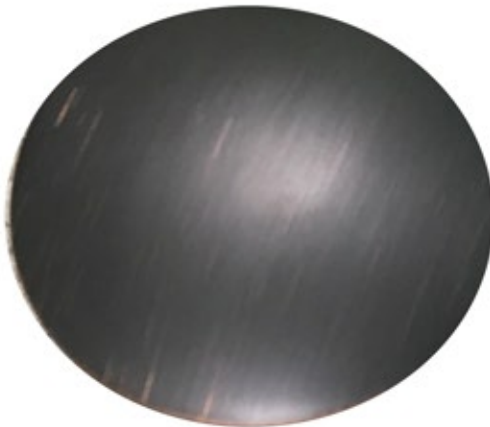
# Accessories Collection

## Umbrella Drain without Overflow



MODEL:  
**NS-UD-BRORB**

Brushed finish detail



PROJECT/ NAME:

ARCHITECT/CONTRACTOR:

MODEL:

JOB NOTES:

### FEATURES

- Brushed Oil Rubbed Bronze Finish
- Push-pop spring mechanism
- Brass construction (installation required)
- No overflow, for sinks without overflow
- Fits minimum 1.5" minimum hole (standard US vanity size)

Complies with:

- ASME A112.18.2
- CSA B125.2